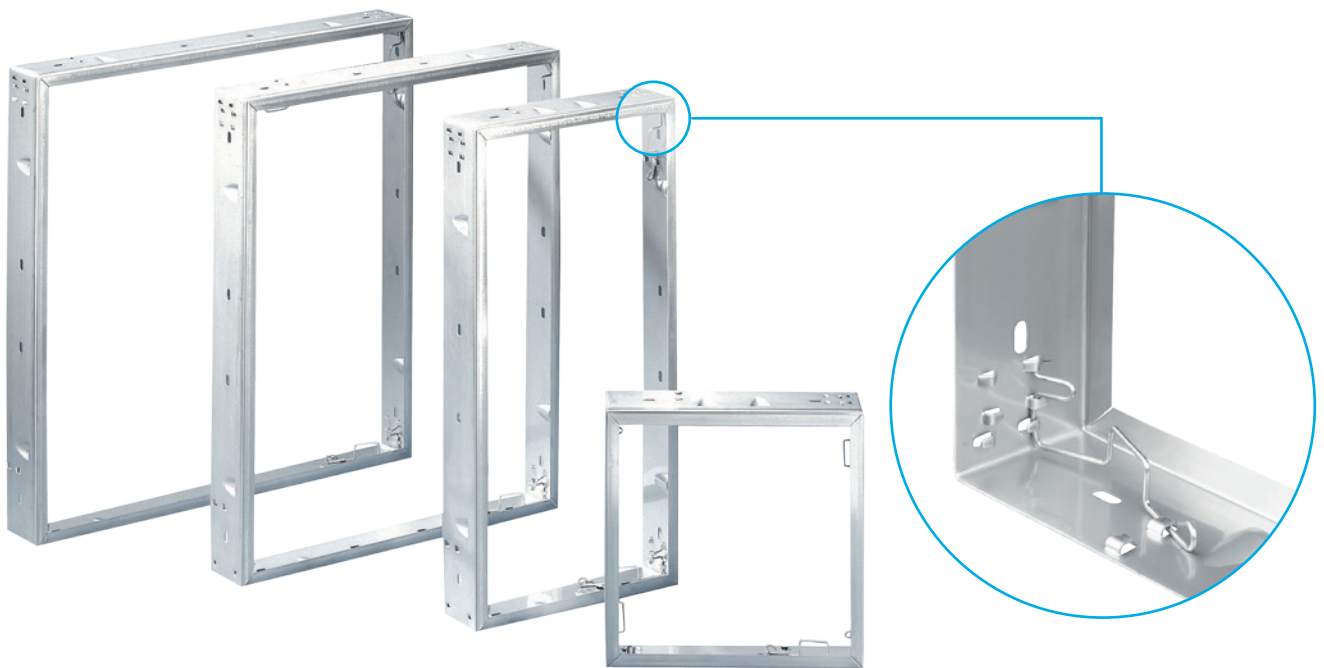


TYPE	LENGTH [mm]	WIDTH [mm]	SUITABLE FOR FILTERS WITH THE FOLLOWING DIMENSIONS [mm, approx.]	
ARV LD NF 1/1 ARE LD NF 1/1	610	610	1/1	592 × 592
ARV LD NF 5/6 ARE LD NF 5/6	508	610	5/6	490 × 592
ARV LD NF 1/2 ARE LD NF 1/2	305	610	1/2	287 × 592
ARV LD NF 1/4 ARE LD NF 1/4	305	305	1/4	287 × 287

ARV = Mounting frame galvanized
ARE = Mounting frame stainless steel



Range of application

New design and modification of air handling systems in a choice of dimensions.

Use

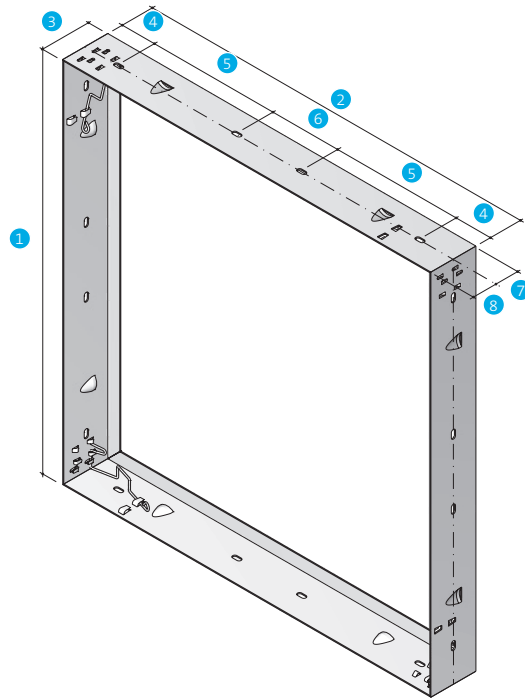
To accommodate Viledon® filters with header frame e.g. Compact pocket filters or MaxiPleat cassette filters. Pleated panel filters of standard depth of 48 mm can be inserted as well.

Construction

Stainless high-grade steel (Material 1.4301) or galvanized steel sheet (U-St 1203), burr-free, inherently rigid, in 4 sizes. Operationally dependable clamp spring system with 4 clamp springs and mechanical locking; including a plug-on rubber gasket (delivered loose). The mitered corners are rendered airtight with a permanently elastic sealing compound.

Dimensions as shown in the table above.

DIMENSIONS



Material thickness
1.25 mm

Dimensions 1/1

- ① = 610 mm
- ② = 610 mm
- ③ = 75 mm
- ④ = 54 mm
- ⑤ = 197 mm
- ⑥ = 108 mm
- ⑦ = 38.5 mm
- ⑧ = 36.5 mm

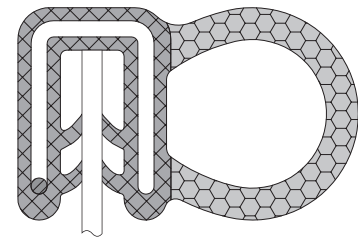
Design features

- High inherent rigidity thanks to a special jointing process and large overall depth.
- Centering guides ensure optimum fit for the filter units in the frame.
- Constant leak-proofness thanks to 4 positive clamp springs fixed in “locking lugs”.
- The clamp springs have been specially designed to ensure unimpeded filter installation or removal.
- The pre-drilled screw holes are positioned so that different sizes of mounting frame can be easily and simply combined.
- A highly flexible, silicone-free plug-on rubber gasket with cavity is supplied. The plug-on gasket is weather-proof and thermally stable within a range from approx. -40 °C to +100 °C, highly resistant to alcohols, lyes and weak acids, and very long-lasting.
- Depending on the size of the filter wall involved, and the stresses it has to handle, we recommend providing additional reinforcements as a support construction. M6×8 screws should be used for assembly, or, if reinforcements are fitted, correspondingly longer screws.

The figures given are mean values subject to tolerances due to normal production fluctuations. Our explicit written confirmation is always required for the correctness and applicability of the information involved in any particular case. Subject to technical alterations.

Freudenberg Filtration Technologies SE & Co. KG
69465 Weinheim, Germany
Phone +49 (0) 6201 80-6264 | Fax +49 (0) 6201 88-6299
viledon@freudenberg-filter.com | www.freudenberg-filter.com

GASKET



Plug-on rubber gasket with metal insert and cavity